

# KDS-12 DELI SLICER

# PRO-CUT<sup>®</sup>

## SPEC SHEET

[www.pro-cut.us](http://www.pro-cut.us)

### STANDARD FEATURES

- Powerful 1/3 HP motor for slicing all types of cold cuts
- Long lasting 12" Italian chromium steel blade
- Features a built in sharpener
- Compact footprint for limited spaces
- Robust belt driven transmission
- Stainless steel affixed safety ring guard
- True 45 degree angle gravity feed
- 430 RPM
- 10.6" x 9.3" Product tray
- Adjustable slice size



### PRODUCT HIGHLIGHTS



**Powerful  
1/3 HP motor**



**Built in  
Sharpener**



**Adjustable  
slice size**



**Affixed safety  
ring guard**



**True 45 degree  
angle gravity feed**



**10.6" x 9.3"  
product tray**



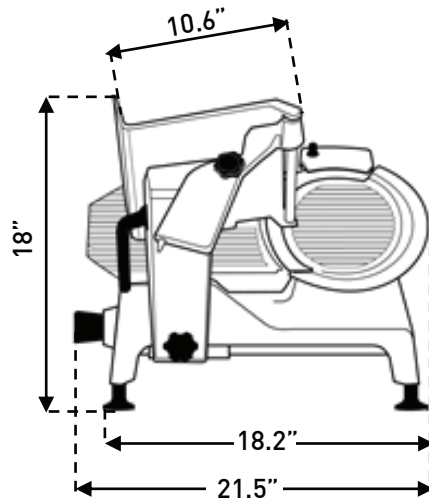
**1 year parts and labor**

## SPEC SHEET

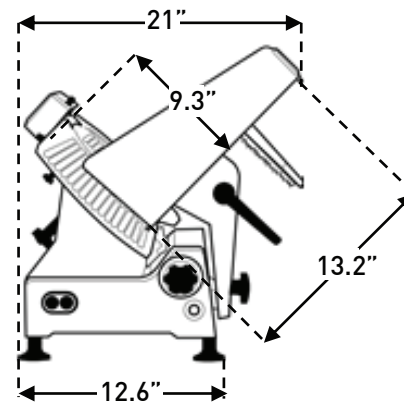
www.pro-cut.us

## PLAN VIEW

Front view



Side view



## TECHNICAL DATA



NEMA 5-15P

### Dimensions

External dimensions	L: 21" W: 21.5" H: 18"
Net weight	52.91 lb (24 kg)
Power cord Length	5.9 ft

### Construction

Gage plate / Knife guard	Stainless Steel
Blade	Chromium steel
Body	Aluminum

### Logistic

Max number of SKU per pallet	6
Shipping dimensions	L: 29" W: 22" H: 19.25"
Shipping weight	57 lb
Shipping dimensions full pallet	L: 36" W: 51" H: 66"
Shipping weight full pallet	385 lb

L: Length W: Width H: Height

### Electrical

Motor	1/3 HP
Volts / Frequency	127 Vac / 60 Hz
Amps	3
Watts	250
Phase	1 ph
Plug type (NEMA)	5-15P

### Performance data

Transmission	Belt
Blade diameter	11.81" (300 mm)
Speed blade	430 RPM
Max. cut width	0- 0.70" (0-1.78 cm)
Max. sliding table travel	10" ( 25.5 cm)

### Dealers information
