



LABELING / PRINTING SCALES

W-LABEL40LP



Model:

W-LABEL40L-P

- ✓ LCD display with embedded backlight
- ✓ Inkless thermal printer for labels and continuous paper
- ✓ Robust stainless construction
- ✓ Wifi and ethernet interface
- ✓ 350 PLU shortcut keys, organized in 10 pages
- ✓ 200,000 PLU memory storage
- ✓ Sales reports
- ✓ Windows software available
- ✓ "Scalelink" for IOS and Android



Tablet and PC
connection



Thermal printer , tickets and tags



Free "scalelink" APP available

Certifications



Warranty

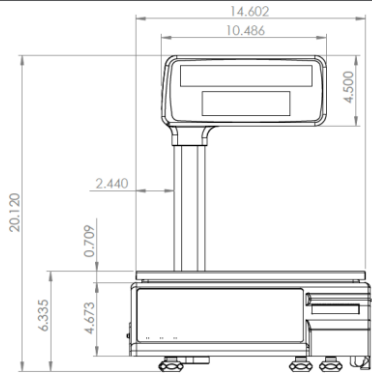




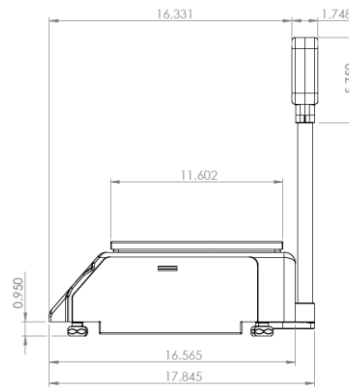
LABELING / PRINTING SCALES

W-LABEL SERIES

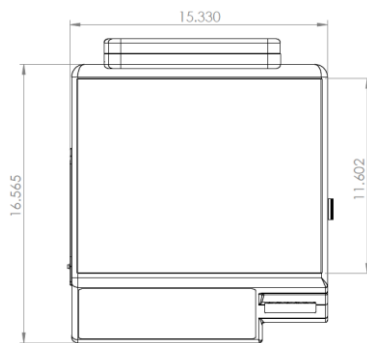
Dimensions



Front view



Side view



Top View

Technical specifications

Dimensions

External dimensions	W: 16.50" D:15.25" H: 21.0"
Packing dimensions	W: 20.0" D:26.0" H: 15 "
Net weight	25.05 lb
Total weight (packing included)	31.65 lb
Plate dimensions	W: 11.75" D: 15.00" H: 0.5"

Construction

Cabinet material	ABS Plastic
Plate material	Food grade stainless steel
Plate holder	Cast Aluminium
Leveling feet	4

Logistic data

Units per pallet	20
Weight per pallet	670.0 lb
Dim. Per pallet	44.88" x 51.96" x 78.740"
Storage temperature	-4°F to 122°F (-20°C to 50°C)

Electrical data

Power supply	100-240 Vca
Ampers	1.2A/220V 2.4A/115V
Cord length	70.86"
Lighting	LED
Plug type	NEMA-5-15P
Display	LCD display with backlight

Performance data

Capacity	40 lb
Minimal division	0.01 lb
Max. Tare	39.99 lb

Additional data

Communication	ETHERNET, WIFI
App available on Android and iOS	App "scalelink" software
Software PC available	Software Admin scale WLabel
Operation temperature	14°F to 104°F (-10°C to 40°C)